

# MONOCLONIUS

## UCX24-E003/E003A

Speed control & Receiver (ESR)

电调和接收 (ESR) 操作指引

### OPERATING INSTRUCTIONS

V1.0

Easily add accessory taillights, reverse lights, turn lights, and more by simply installing the LED light kit (purchased separately) and plugging it into the small box. The lighting control function, speed control and signal reception are already built in the box (ESR), this is an innovative electronic device.

新型电子设备，一体化电子速度控制和接收盒 (ESR)。将速度控制、信号接收和照明控制模块的所有功能集成到一个小方盒中。单独购买专业比例 LED 灯套件并将其插入，即可轻松添加尾灯、倒车灯、转向灯等附件。

**Please read the following instructions before installing and operating your ESR.**

在安装和操作ESR之前，请阅读以下说明。

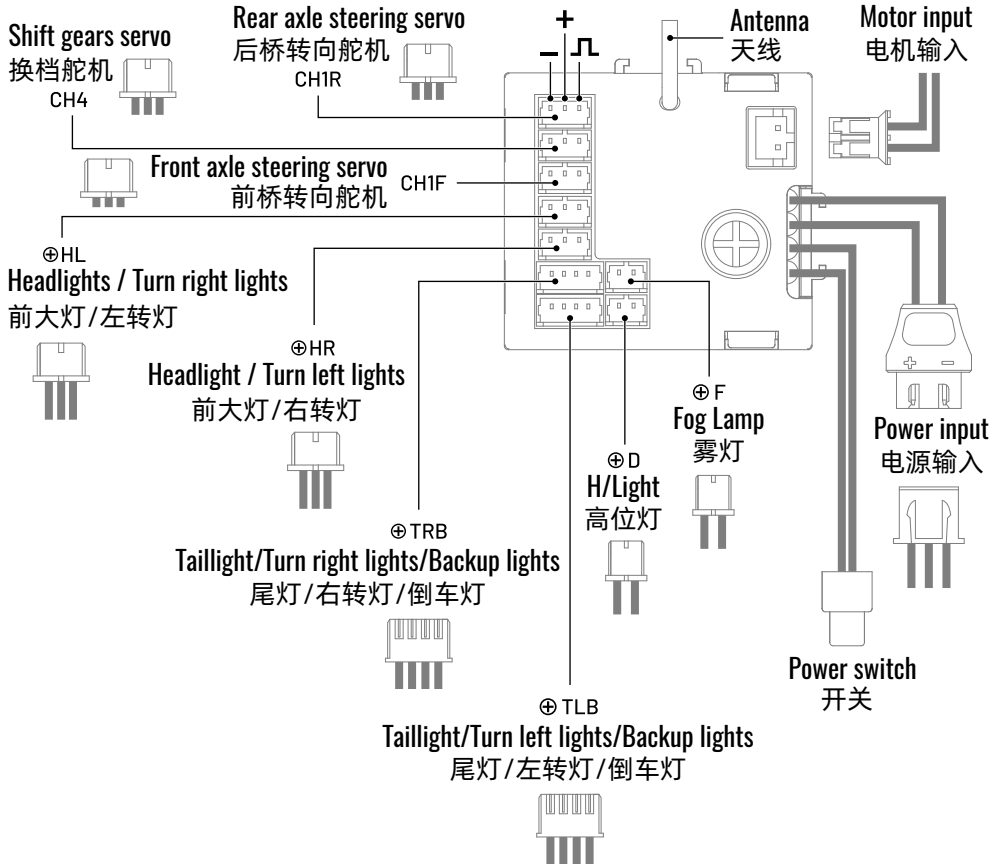
### SAFETY PRECAUTIONS 安全注意事项

This product is a sophisticated hobby product and not a toy. It must be operated with caution and common sense and requires some basic mechanical ability. Failure to operate this product in a safe and responsible manner could result in injury or damage to the product or property. This product is not intended to be used by children without direct adult supervision. It is essential to read and follow all instructions and warnings found in this manual prior to installation, set up, and use, in order for the product to operate properly and to avoid damage or injury.

本产品是一种精密的电子产品，而不是玩具。必须谨慎和常识性地操作，并需要一些基本的机械能力。未能以安全和负责任的方式操作本产品可能会导致产品或财产受到伤害或损坏。本产品不得在无成人直接监督的情况下由儿童使用。在安装、设置和使用之前，必须阅读并遵循本手册中所有说明和警告，以便产品正常运行并避免损坏或伤害。

## ESR DATA 参数

|                                  |                                    |
|----------------------------------|------------------------------------|
| Model (型号) : UCX24-E003/E003A    | RF Standard (频率) : 2.4GHz          |
| Input Power (输入功率) : 1-2S        | Size (规格) : 33.4×30×12.3mm         |
| Weight (重量) : 10.9g              | Brakes (制动) : Proportional (比例)    |
| Power Connector (电源线) :XH2.54-3P | Motor Connector (电机连接器) : PH2.0-2P |
| Motor Limit (电机限值) : 2S LiPo     |                                    |



## INSTALLATION 安装

- Mount your ESR and switch securely using high quality double-sided tape.
- 使用高质量的双面胶带安装ESR并安全切换。
- Always power ON your transmitter before the ESR and power OFF the ESR before the transmitter.
- 始终在ESR之前打开遥控器电源，在遥控器之前关闭ESR电源。