

UdIRC

UCX24-E007

2.4GHz 4CH Transmitter

2.4GHz遥控器操作指引

OPERATING INSTRUCTIONS

V1.0

Before installing and operating your new radio system, please take a few minutes to familiarize yourself with the various features of the system by reading this instruction manual thoroughly.

在安装和操作您的新无线电系统之前，请花几分钟时间通过仔细阅读本说明书来熟悉系统的各种功能。

SAFETY PRECAUTIONS 安全注意事项

This product is a sophisticated hobby product and not a toy. It must be operated with caution and common sense and requires some basic mechanical ability. Failure to operate this product in a safe and responsible manner could result in injury or damage to the product or property. This product is not intended to be used by children without direct adult supervision. It is essential to read and follow all instructions and warnings found in this manual prior to installation, set up, and use, in order for the product to operate properly and to avoid damage or injury.

本产品是一种精密的电子产品，而不是玩具。必须谨慎和常识性地操作，并需要一些基本的机械能力。未能以安全和负责任的方式操作本产品可能会导致产品或财产受到伤害或损坏。本产品不得在无成人直接监督的情况下由儿童使用。在安装、设置和使用之前，必须阅读并遵循本手册中所有说明和警告，以便产品正常运行并避免损坏或伤害。

TRANSMITTER DATA 遥控器参数

Model (型号): UCX24-E007

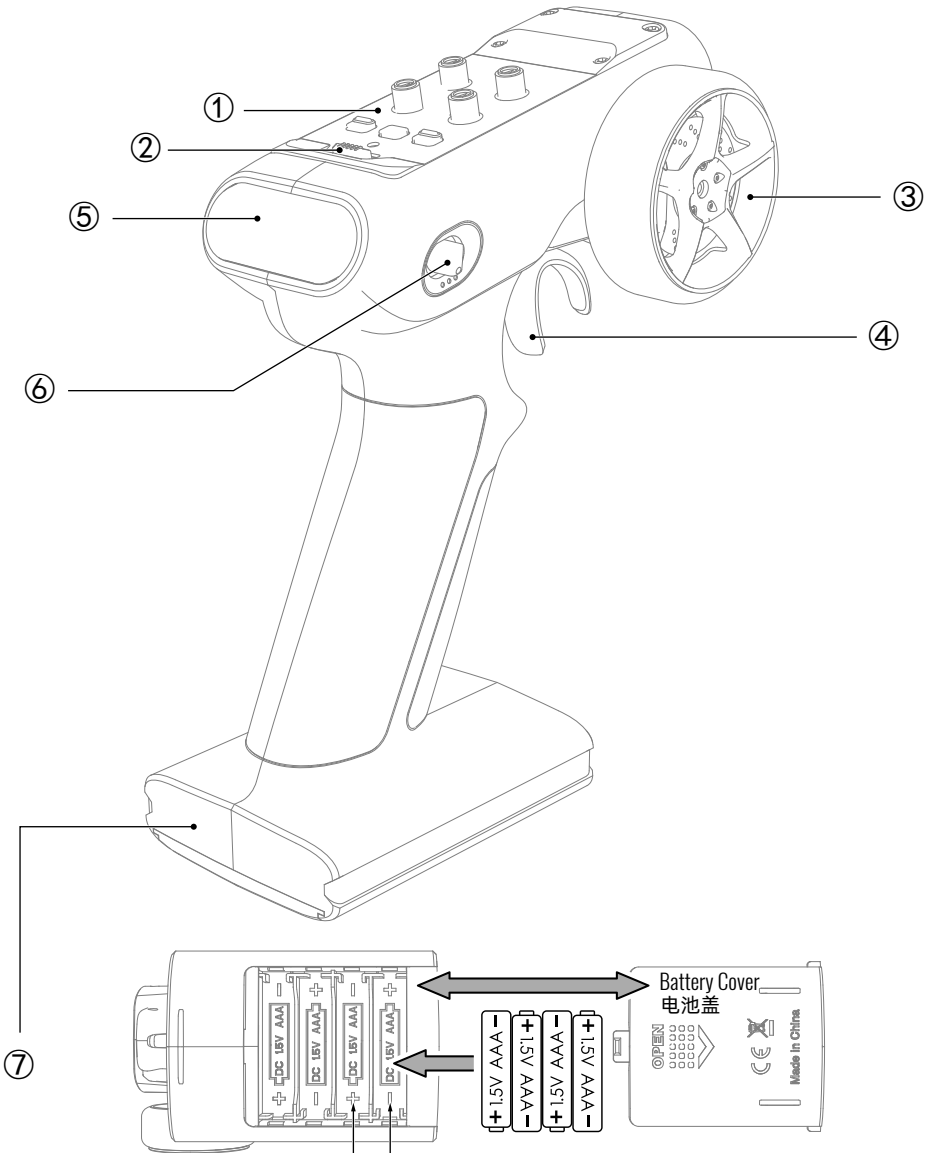
Input Power (输入电源): AAA×4

Size (规格): 175×133×79mm

Frequency Band (频率): 2.4GHz

Channels (通道): 4

TRANSMITTER CONTROLS/FUNCTIONS 遥控器控制/功能



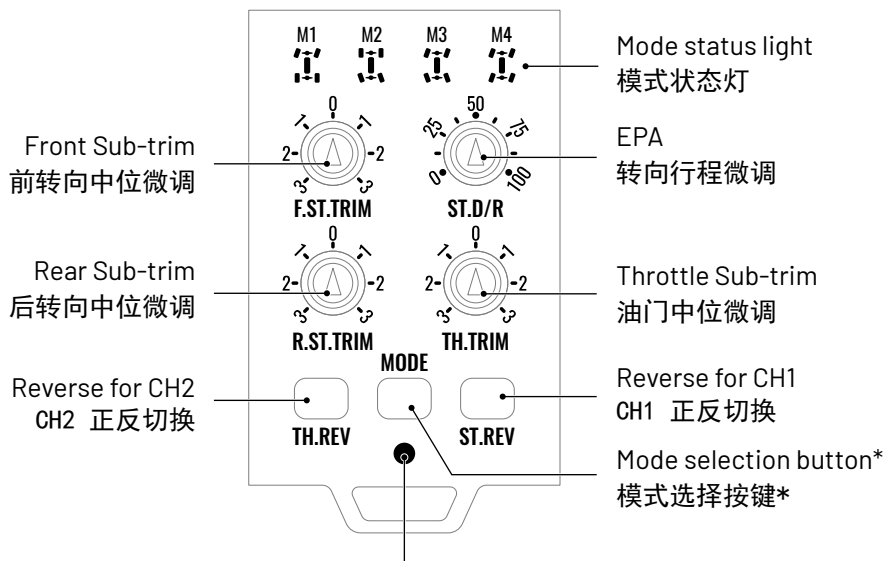
! NOTE DIRECTION
注意电极方向

1.5V×4 AAA Batteries (not included)
1.5V×4 AAA 7号电池 (自备)

Open battery cover at the bottom of transmitter. Install batteries. Follow the direction of batteries designated in the inside of the battery box.

打开遥控器底部的电池盖，按照电池盒内指定的电池极性方向正确安装电池。

① Regulatory interface 调节界面



Transmitter indicator 遥控器指示灯

When the signal is weak or interrupted, the indicator will flash quickly. When the power of the transmitter is low, the indicator light will flash slowly. The above situation should be handled as soon as possible to avoid accidents.

当信号弱或信号中断时，指示灯快速闪烁。遥控器电量不足时，指示灯慢速闪烁。上述情况需尽快处理，避免发生意外。

Note: 注意:

*Default front wheel steering (M1), other modes available with purchase of rear wheel upgrade kit.

*默认前轮转向(M1)，购买后轮升级组件可实现其它模式。

② Power switch 电源开关



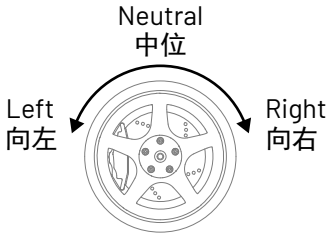
Please make sure the transmitter throttle trigger and Steering wheel to normal before starting up. Do not touch the throttle trigger when turning on the power of the transmitter.

开机前确认遥控器的油门扳机、方向盘回位正常。开启遥控器电源时禁止触碰油门扳机。

Power on the transmitter, will sound "di", and the indicator light flashes to enter the frequency state.

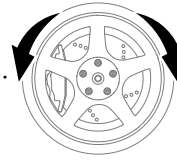
开启遥控器电源，指示灯快速闪烁，处于对频状态。

③ CH1, Steering wheel CH1 转向轮



Turn on the emergency flashers by twisting it left to hold for a maximum of 3 seconds.

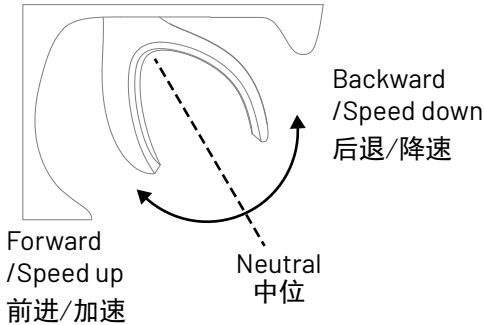
向左拧到最大停留3秒开启双闪灯。



Turn on the high lights by twisting it right to hold for a maximum of 3 seconds.

向右拧到最大停留3秒开启高位灯。

④ CH2, Throttle trigger CH2 油门



Note:

When using the transmitter in electric powered vehicles, the throttle trigger should always remain in the neutral position. Otherwise the vehicle may experience erratic operation of the throttle trigger functions.

注意：在电动车辆中使用遥控器时，油门应始终保持在中位。否则，可能会因油门的功能导致车辆不稳定。

⑤ CH3

Short press to headlights switch.
Long press for 3 seconds switches the fog lights.
短按开关大灯。长按3秒开关雾灯。

Frequency pairing. 对频。

Automatic frequency failure, turn off all power sources. Turn on power of the vehicle again and the headlights flash, then press the remote control CH3 and turn on the power. When the indicator lights of the car lights and remote control keep bright for a long time, the frequency pairing is successful.

自动对频失败，关闭所有电源。重新开启车辆电源，车灯闪烁，再按住遥控器CH3，并开启电源。当车灯和遥控器指示灯长亮时，对频成功。

⑥ CH4, Throttle speed limit switch CH4油门限速开关

