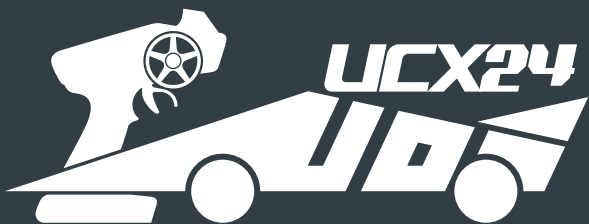


UdiR/C.



OPERATING INSTRUCTIONS 操作指南

V2.0

*This product is suitable for users over 14 years old.
Please read this instruction manual carefully before use.*

本产品适合14岁以上的用户使用
操作前请仔细阅读此说明书

The instruction manual contains important information and must be retained.

该说明书中含有重要信息必须予以保留。

IMPORTANT NOTICE 重要通知

Our company's products are improving all the time, design and specifications are subject to change without notice. All the information in this manual has been carefully checked to ensure accuracy, if any printing errors, our company reserve the final interpretation right.

我们的产品一直在改进，设计和规格如有变更，将不另行通知。本手册所有内容均已仔细核对，以确保准确性，如有印刷错误，本公司保留最终解释权。

CATALOGUE 目录

- | | | | | | |
|-----------|------------------------------|-----|-----------|--------------------------------|-----|
| 01 | Safety precautions
安全注意事项 | P04 | 06 | ESC
电子调速器 | P19 |
| 02 | Troubleshooting
常见故障解析 | P12 | 07 | Operational guidance
操作指引 | P20 |
| 03 | Model Car Summary
车辆概述 | P13 | 08 | Parts exploded view
配件组装示意图 | P24 |
| 04 | Model battery
模型电池 | P15 | 09 | Buyable accessories
可购买配件 | P41 |
| 05 | Transmitter Summary
遥控器概述 | P17 | | | |

THANK YOU 谢谢



- Thank you for choosing this product. If you have any problems or need help, please call us and we will try our best to help you.
- This is a radio control model product, not a toy! which needs regular maintenance to obtain the best performance. If you don't do regular maintenance, it can affect performance. We have all the necessary parts and accessories to ensure that your vehicle maintains its best performance.
- The warning or attention symbol will alert you to potentially dangerous steps. Please read and understand the instructions carefully before proceeding.
- 感谢您选择本产品！如果您遇到任何问题或需要帮助请致电我们，我们将尽最大努力为您提供帮助。
- 此无线遥控模型产品，并非玩具，需定期维护才能获得最佳性能。如果您不进行定期维护，则会影响性能。我们拥有所有必要的零件和附件，可确保您的车辆保持最佳性能。
- 警告或注意符号将警告您有关可能非常危险的步骤。在继续操作之前，请仔细阅读并理解说明事项。



WARNING 警告



ATTENTION 注意

Failure to follow these instructions may result in injury to yourself or others. You may also cause property damage or model damage.

不遵守这些说明可能会导致您自己或他人受伤。您也可能造成财产损失或模型损坏。

For more safety precautions, please refer to the "Disclaimer and Safety Operation Guidelines".

Usage: Please follow the instructions to install and operate the model.

更多安全事项请参阅《免责声明及安全操作指引》

使用方法：请遵照说明书安装、操作模型。

WARNING 警告



Before Operation 操作前

- Read the instruction manual in detail, or ask for the person with experience in operation, and read with the guardian if necessary.
- Make sure all screws and nuts are properly tightened.
- The remote control and the vehicle should always use the battery with saturated power to avoid losing control of the model.
- Please make sure that the throttle trigger is in the center position.
- 详细阅读说明书，或请教有操作经验的人，必要时与监护人一起阅读。
- 确保正确拧紧所有螺丝和螺母。
- 遥控器和车辆请始终使用电量饱和的电池，以免失去对模型的控制。
- 请确认油门扳机在正中心位置。

During Operation 操作时

- First turn on the power of the remote control, and then turn on the power of the model.
- Use this product only in open areas (>5x5m) without pedestrians.
- DO NOT put fingers or any objects inside rotating and moving parts.
- 首先打开遥控器电源，然后打开车辆电源。
- 只在空旷(>5x5m)无人的地方使用本产品。
- 不可将手指或其他物体放进正在旋转或移动的部件中。

Afte Operation 操作后

- First turn off the model power, then turn off the remote control power. And take out the battery.
- Daily maintenance is required after the model is used.
- 先关闭车辆电源，后关闭遥控器电源。并取出电池。
- 车辆使用完毕需进行日常维护。

WARNING 警告



- *The model must stop immediately and check for the reasons when it is operating abnormal.*
- *Keep in mind that people around you may also operate a radio control model.*
- *The motor is a heating part, please do not touch it.*
- *If you don't use the model for a long time, please raise the chassis to let the wheels hang in the air.*
- *Please keep the package or instructions as they contain important information.*

Please use this product only in empty place! It is strictly forbidden to use it on roads, living area, parks, indoor areas, children or places where people gather, otherwise injury may occur.

- 模型车运行异常时需立即停止操作并检查原因。
- 保持警惕，周围可能有人也在操作模型车。
- 电机为发热部件，请勿触碰。
- 若长时间不使用请将模型车的底盘架高，让车轮悬空。
- 包装或说明书中含有重要信息，应保留。

只可在空旷无人的地方使用本产品！严禁在公路、生活区、公园、室内、儿童或人群聚集的地方使用，否则可能发生伤害危险。

WARNING 警告



The product should only be used by adults and children over 14 years.
Adult supervision is required for children under 14 years.

Hinweis:

Dieses Produkt ist für die Erwachsene und die Kinder ab 14 Jahren.
Die Kinder unter 14 Jahren müssen von Erwachsenen beaufsichtigt werden.

Avertissement:

Ce produit est destiné aux adultes et aux enfants de plus de 14 ans.
Les enfants de moins de 14 ans doivent être surveillés par des adultes.

Avvertimento:

Questo prodotto è destinato all'uso per i adulti e bambini di età superiore ai 14 anni.

I bambini di età inferiore ai 14 anni devono essere sorvegliati da un adulto.

Advertencia:

Este producto es para adultos y niños mayores de 14 años.
Los niños menores de 14 años deben ser supervisados por adultos.

警告:

この製品は、大人と14歳以上の子供には使用対象です。
14歳未満の子供は大人の監視が必要です。

زيذحت:

قوف لافطأل او نيغل ابلال لبق نم طقف جت نمل مادختسا بجي
أماع 14 نس.

أماع 14 نس نود لافطأل بولطم رابكلال فارش!



DANGER!

Only suitable for age 14+

! WARNING 警告



1. 本产品是模型产品，14岁以下儿童不得使用，以免产生危险。
2. 激光辐射，勿直视光束！
3. 电机为发热部件，请勿触摸，以免发生烫伤的危险。
4. 不要靠近耳朵使用！误用可能导致听力损坏。
5. 为保证航空无线电台（站）电磁环境的要求，禁止在以机场跑道为中心点为圆心、半径5000米的区域内使用各类模型遥控器。
6. 在国家有关部门发布无线电管制命令的期间、区域区，应按要求停止使用模型遥控器。
7. 定期检查USB充电线及连接部件是否损坏，发现损坏时应停止使用，直至修复完好。
8. 本产品只能使用厂家配送的USB充电盒连接到质量合格的USB插口进行供电，若不按要求操作，会造成电路异常甚至产品损坏，可能会对人有伤害风险！



Li-Po Battery Disposal & Recycling

Wasted Lithium-Polymer batteries must not be placed with household trash. Please contact local environmental or waste agency or the supplier of your model or your nearest Li-Po battery recycling center.



⚠ ATTENTION 注意



The product contains small and sharp parts. Keep away from children.

产品含有小且尖锐的零件，所以在装配和贮藏时，要放在儿童摸不到的地方。



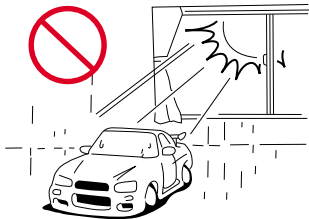
Be sure to read the instruction manual in detail, or ask for the person with experience in operation, and read with the guardian if necessary.

开始使用前，详细阅读说明书，或请教有操作经验的人，必要时与监护人一起阅读。



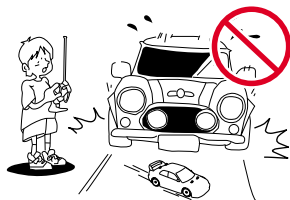
Cutters, nippers and screw drivers need careful handling.

刀具，镊子，螺丝等需小心处理。



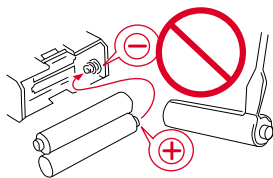
DO NOT put the model in high temperature, humidity and direct sunlight.

勿把模型放在高温，潮湿及阳光直射的地方。



DO NOT operate in public streets or crowded places to avoid accidents.

请勿在公共街道或人群拥挤的地方操作，以免发生意外事故。



Please don't reverse contact or disassemble the battery, as this way will cause the battery to explode.

勿反接或分解电池，这会导致电池爆炸的危险。

⚠ Battery safety 电池注意事项

- Please read and observe all precautions before use. Improper use of battery may cause danger.
- It is normal for the battery to heat up after operation. Please be careful when handling the battery. If the wire is worn, it is easy to short circuit and cause fire.
- Wasted li-ion battery must not be placed with household trash. please contact local environmental or waste agency or the supplier of your model or your nearest li-ion battery recycling center.

- 1) After use, please disconnect the power supply and pull out the plug;
- 2) Remove the battery from the model before charging;
- 3) DO NOT charge the battery when it is bulging or expanding;
- 4) Keep away from damp, corrosive environment and heat source;
- 5) Please charge the battery under adult supervision;
- 6) Pay attention to the polarity of the battery when installing or replacing the battery;
- 7) Different types of batteries or old and new batteries should not be mixed;
- 8) DO NOT short circuit any terminals;
- 9) DO NOT short circuit, decompose or put the battery into fire;
- 10) Please use the attached special charger to charge the battery.

- 1) 产品使用充电电池，遥控器使用4节1.5V 7号电池；
- 2) 电池取出和装入应按产品及遥控器电池室上的极性和电压标志进行正确操作，电池不应短路；
- 3) 非充电电池不能充电；
- 4) 充电电池必须在成人监护下充电；
- 5) 充电电池在充电前应从产品中取出；
- 6) 不同类型的电池或新旧电池不能混用；
- 7) 只有和推荐电池相同或者等效的电池方可使用；
- 8) 用尽的电池应从产品及遥控器中取出，若长期不使用，请将产品及遥控器中电池取出；
- 9) 电源端子不得短路；
- 10) 不能连接到多于推荐数量的电源上。
- 11) 充电电池组只能使用生产者提供的USB线进行充电，USB线不是模型。

FCC Note



This equipment has been tested and found to comply with the limits for a Class B digital device, pursuant to Part 15 of the FCC Rules. These limits are designed to provide reasonable protection against harmful interference in a residential installation. This equipment generates uses and can radiate radio frequency energy and, if not installed and used in accordance with the instructions, may cause harmful interference to radio communications. However, there is no guarantee that interference will not occur in a particular installation. If this equipment does cause harmful interference to radio or television reception, which can be determined by turning the equipment off and on, the user is encouraged to try to correct the interference by one or more of the following measures:

- *Reorient or relocate the receiving antenna.*
- *Increase the separation between the equipment and receiver.*
- *Connect the equipment into an outlet on a circuit different from that to which the receiver is connected.*

FCC Note

WARNING: Changes or modifications not expressly approved by the party responsible for compliance could void the user's authority to operate the equipment.

FCC Notice

The equipment may generate or use radio frequency energy. Changes or modifications to this equipment may cause harmful interference unless the modifications are expressly approved in the instruction manual. Modifications not authorized by the manufacturer may void user's authority to operate this device.

This device complies with Part 15 of the FCC Rules. Operation is subject to the following two conditions:

(1) This device may not cause harmful interference. (2) This device must accept any interference received, including interference that may cause undesired operation.

FCC Radiation Exposure Statement

The device has been evaluated to meet general RF exposure requirement. The device can be used in portable exposure condition with out restriction.

Product maintenance 车辆维护

When not in use, remove the battery from the model and transmitter.

不使用时，取出
车辆和遥控器
的电池。



Please remove the sediment and dirt on the car completely and must be kept dry after play.

入库前完全除去车
上的泥沙污垢，
必须保持车辆干燥。



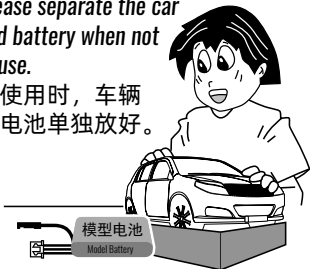
Apply lubricating oil to external metal parts.

外漏轮毂杯
和金属件
打油。



Please separate the car and battery when not in use.

不使用时，车辆
和电池单独放好。



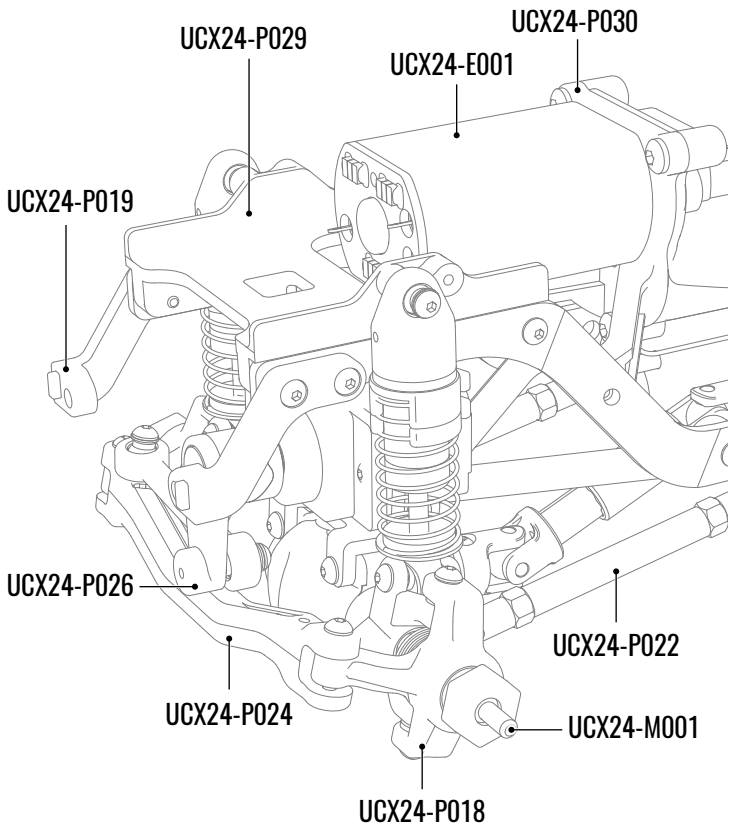
Troubleshooting 常见故障解析

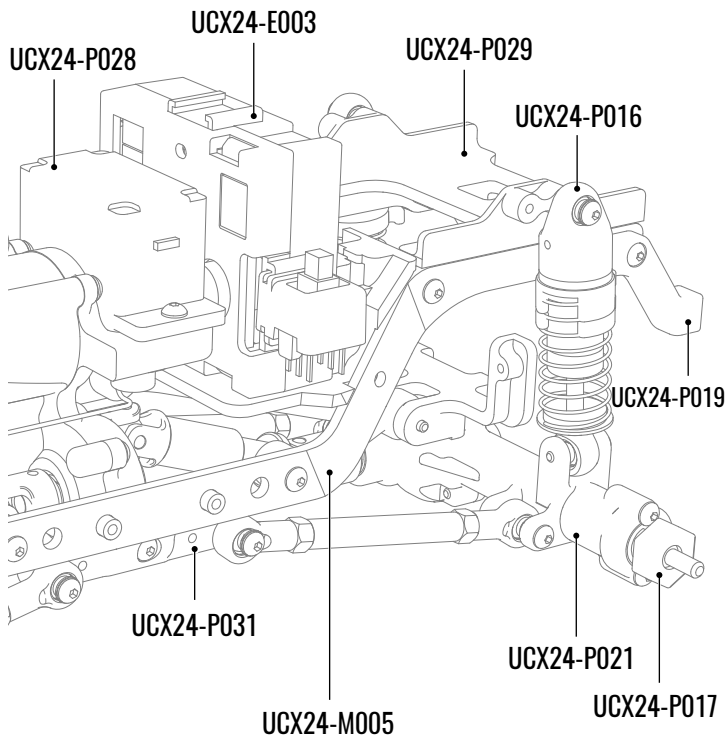
Cause 故障	Solution 解决方法
Remote control car doesn't work 遥控车不运行	When the battery is low, charger it in time or replace it with new battery. 电池电量不足，及时充电或更换新电池
	Please make sure the wheel or drive shaft is entangled by debris and remove it. 检查车轮或传动轴是否被杂物缠住，并去除
	The motor may have reached the expiration date, replace with the same motor. 电机或已达使用期限，更换相同的电机
	Please keep the car within effective control distance. 保持在有效的控制距离内
	When the battery of the transmitter in low battery, please replace it in time. 遥控器电池电量不足，及时更换新电
	Check whether all parts of the model car are damaged and replace them. 检查模型车各部件是否损坏并更换
Long frequency matching time 对频超时	High temperature protection is triggered when the ESC's temperature is too high. Please pause for 10 minutes before using. 电调温度过高触发高温保护，暂停10分钟后再使用
	The signal is disturbed, restart the car and the transmitter. 信号受干扰，重启车辆和遥控器
Operation delay 操控延时	Please make sure there are obstacles or interferences. 确认是否有障碍物或干扰物
The vehicle moves forward (backward) automatically or makes a sound of "en...." 车辆自动前进/后退，或发出“en.....”声音	Restart the transmitter 确认油门扳机在中位并重启遥控器
The indicator of the transmitter is not bright 遥控器指示灯不亮	Please make sure the battery is installed correctly or replace it with a new one. 检查是否正确安装电池或更换新电池
	If the transmitter doesn't work, please replace it with a new one. 遥控器故障更换新遥控器
The steering of the model car has no force or function 模型车转向无力或无功能	Increase the percentage of steering. 增加转向幅度的百分比
	Please make sure the steering is it include the sundries or some parts damaged. 检查转向机构是否有杂物或配件损坏

Model Car Summary

车辆概述

Accessories vary by model,
the products obtained from
sales shall prevail.
各零配件以销售所得为准!



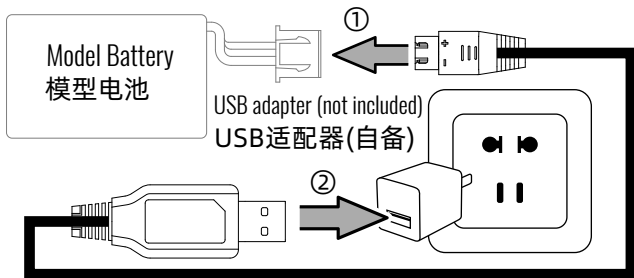


Model battery charging

模型电池的充电

The battery contains less power when leaving the factory, so it must be fully charged before use. Do not place the battery in the model while charging. The battery must be cooled before being recharged. Connect the included USB charging cable to the model battery charging port, and then connect to other USB output ports (output: 5V, 2A). The USB charger indicator light will red when charging and the light turns green when fully charged.

电池出厂时含有较少电量，须充电饱和后再使用。电池充电时禁止安放于模型中。电池必须冷却后再充电。将随附USB充电线与模型电池充电端口连接，再连接其它USB输出端口（输出：5V，2A）。充电时充电线指示灯绿色闪烁；充电完成绿色长亮。



WARNING: MUST BE SUPERVISED WHILE CHARGING.

Please use the included USB charging cable and make sure it is properly connected.

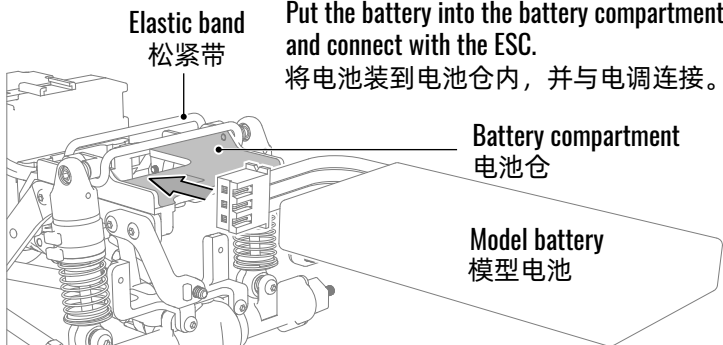
警告：充电时必须有人照看。

请使用设备随附的充电器并确保连接正确。

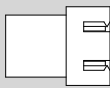
Assembly of model battery 模型电池的装配

Put the battery into the battery compartment and connect with the ESC.

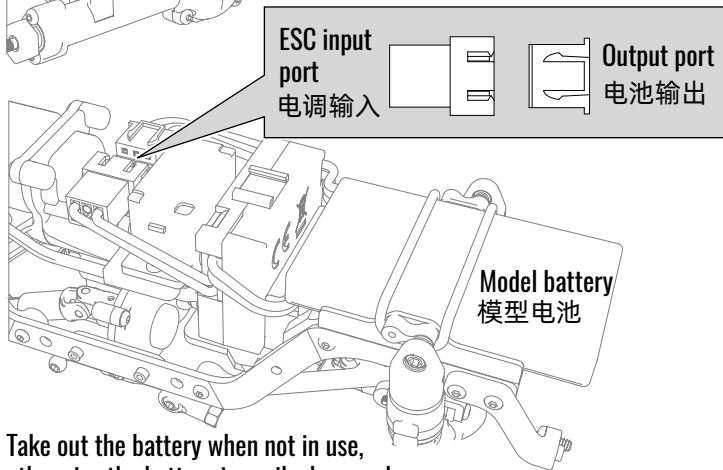
将电池装到电池仓内，并与电调连接。



ESC input port
电调输入



Output port
电池输出



Take out the battery when not in use, otherwise the battery is easily damaged.

不使用时电池需取出，否则电池易损坏。

Transmitter Summary

遥控器概述

OFF 关
ON 开
Power switch
电源开关

Regulatory interface
调节面板

CH1. Steering wheel
CH1。转向轮。

CH3
Frequency paring. Short press to headlights switch. Long press for 3 seconds switches the fog lights.

CH3
对频。短按开关大灯。
长按3秒开关雾灯。

CH2. Throttle trigger
CH2。油门

CH4, Throttle speed limit switch CH4油门限速开关



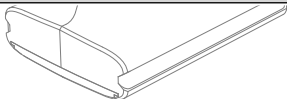
Low speed
低速



Neutral
空档



High speed
高速



Turn on the emergency flashers by twisting it backward to hold for a maximum of 3 seconds.
向后拧到最大停留3秒
开启双闪灯。



Turn on the high lights by twisting it forward to hold for a maximum of 3 seconds.
向前拧到最大停留3秒
开启高位灯。

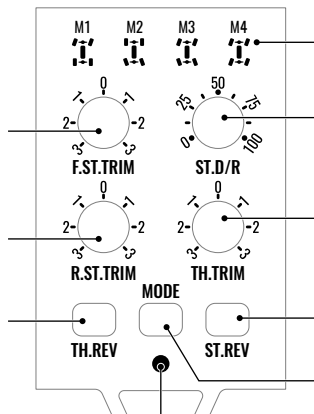
Regulatory interface

调节面板

Front Sub-trim
前转向中位微调

Rear Sub-trim
后转向中位微调

Reverse for CH2
CH2 正反切换



Mode status light
模式状态灯

EPA
转向行程微调

Throttle Sub-trim
油门中位微调

Reverse for CH1
CH1 正反切换

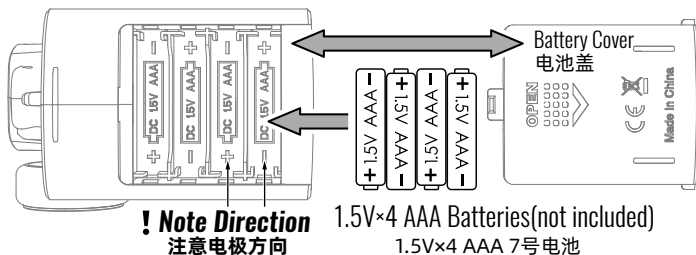
Mode setting button
模式设置按键

Transmitter indicator 遥控器指示灯

When the signal is weak or interrupted, the indicator will flash quickly. When the power of the transmitter is low, the indicator light will flash slowly. The above situation should be handled as soon as possible to avoid accidents.

当信号弱或信号中断时，指示灯快速闪烁。遥控器电量不足时，指示灯慢速闪烁。上述情况需尽快处理，避免发生意外。

Battery installation of transmitter 遥控器电池的装配



! Note Direction
注意电极方向

1.5V×4 AAA Batteries(not included)
1.5V×4 AAA 7号电池

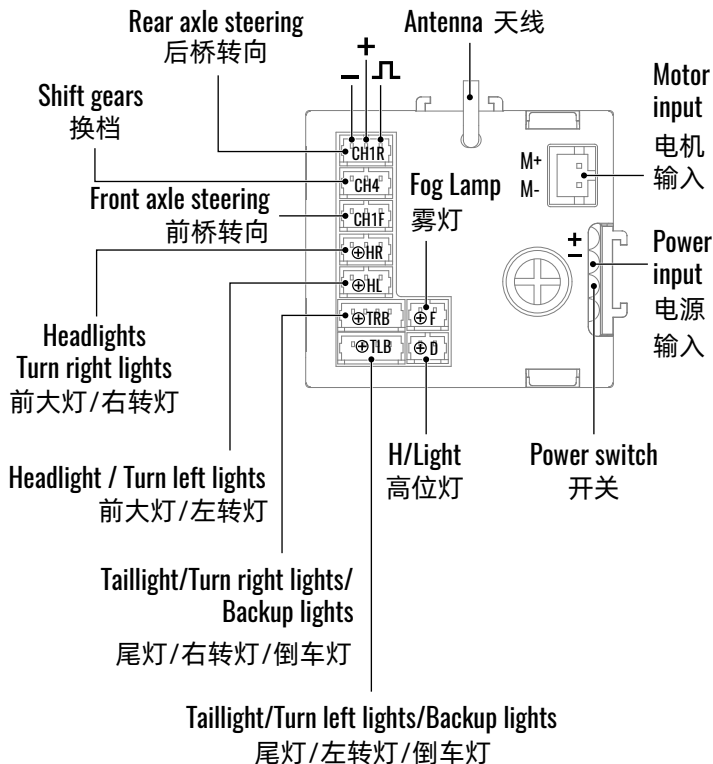
Open battery cover at the bottom of transmitter. Install batteries. Follow the direction of batteries designated in the inside of the battery box.

打开遥控器底部的电池盖，按照电池盒内指定的电池极性方向正确安装电池。

Speed control & Receiver(2in1)

电调和接收(2合1)

UCX24-E003



Operational guidance 操作指引

Frequency matching 对频



Please make sure the transmitter throttle trigger and Steering wheel to normal. Do not touch the throttle trigger when turning on the power of the transmitter.

确认遥控器的油门扳机、方向盘回位正常。
开启遥控器电源时禁止触碰油门扳机。

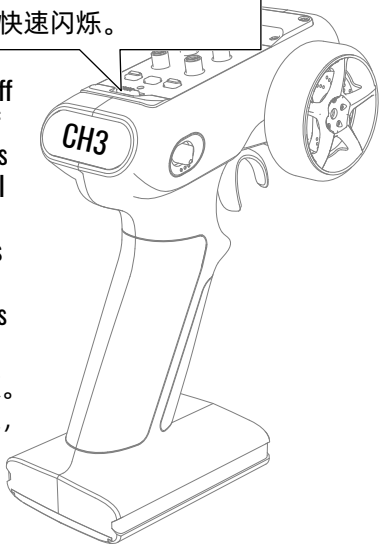


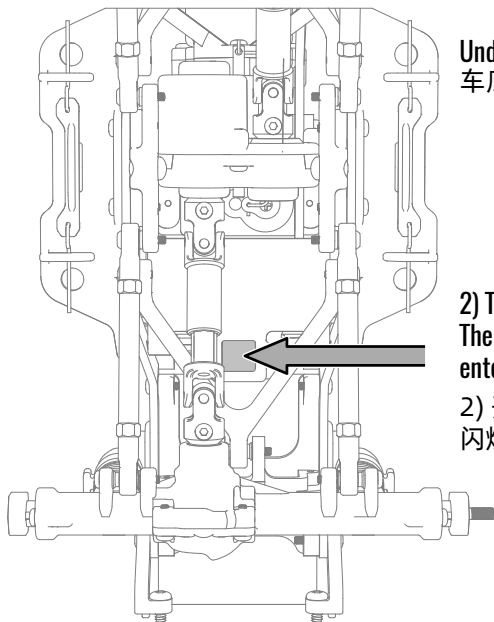
1) Power on the transmitter, will sound "di", and the indicator light flashes.

1) 开启遥控器电源，指示灯快速闪烁。

Automatic frequency failure, turn off all power sources. Turn on power of the vehicle again and the headlights flash, then press the remote control CH3 and turn on the power. When the indicator lights of the car lights and remote control keep bright for a long time, the frequency pairing is successful.

自动对频失败，关闭所有电源。重新开启车辆电源，车灯闪烁，再按住遥控器CH3，并开启电源。当车灯和遥控器指示灯长亮时，对频成功。





Underbody
车底

2) Turn on the car power.
The lights are flashing to
enter the frequency state.

2) 开启车辆电源。车灯
闪烁。进入对频状态。



Placed on Horizontal ground 置于水平地面

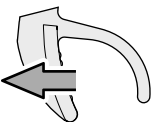
The transmitter and the car will carry out automatic frequency matching. When the indicator light of the transmitter and the car lights are always on, the frequency matching is successful.

遥控器和车辆会自动对频，当遥控器指示灯和车灯常亮时，则对频成功。

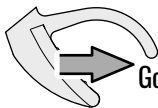
Control 控制



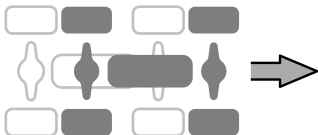
Go forward
前进



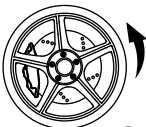
Throttle trigger
油门扳手



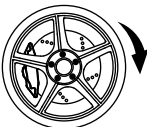
Go backward
后退



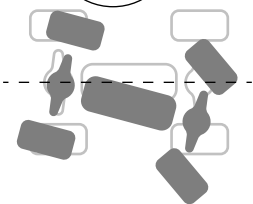
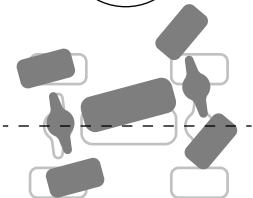
Turn left
左转



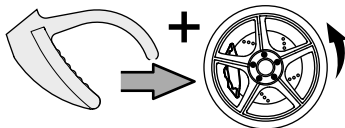
Steering wheel
转向轮



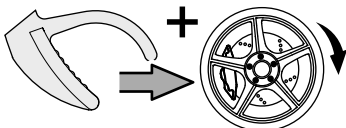
Turn right
右转



Turn left and move backward
后退并左转

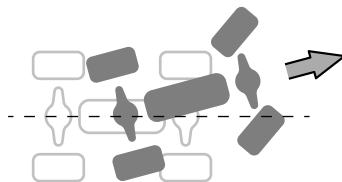
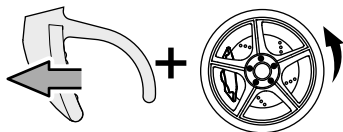


Turn right and move backward
后退并右转



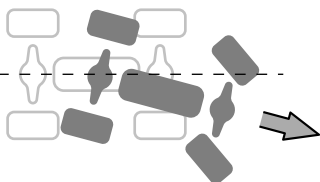
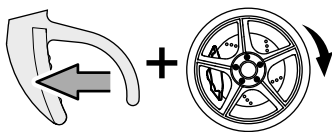
Turn left and move forward

前进并左转



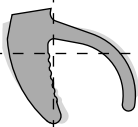
Turn right and move forward

前进并右转



Low speed

低速

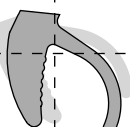


Pull the throttle trigger back gently and the car will move forward slowly.

向后轻拉油门扳手，车辆慢速前进。

High speed

高速



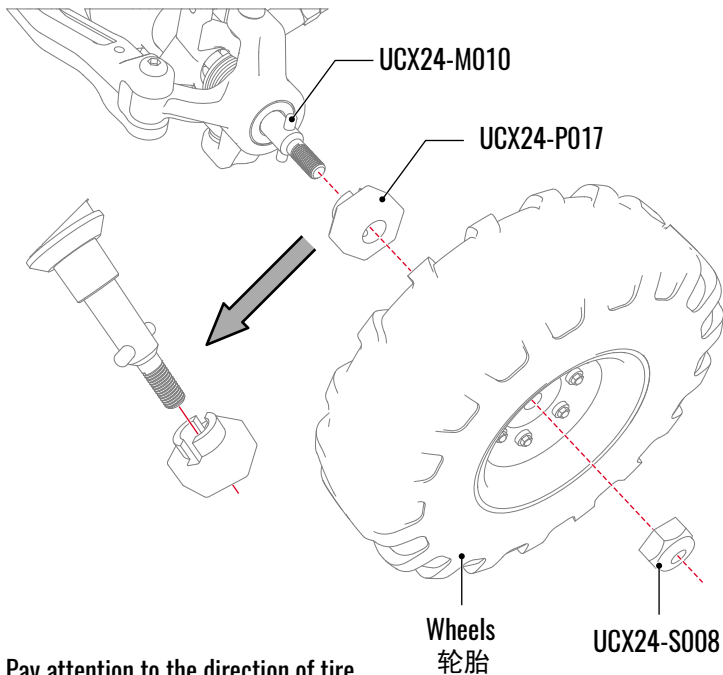
The throttle trigger is pulled to the maximum, and the car moves forward quickly.

油门扳手拉到最大，车辆快速前进。

Parts exploded view 零配件组装示意图

Accessories vary by model,
the products obtained from
sales shall prevail.
各零配件以销售所得为准

Wheels 车轮



Pay attention to the direction of tire
tread during tire installation.

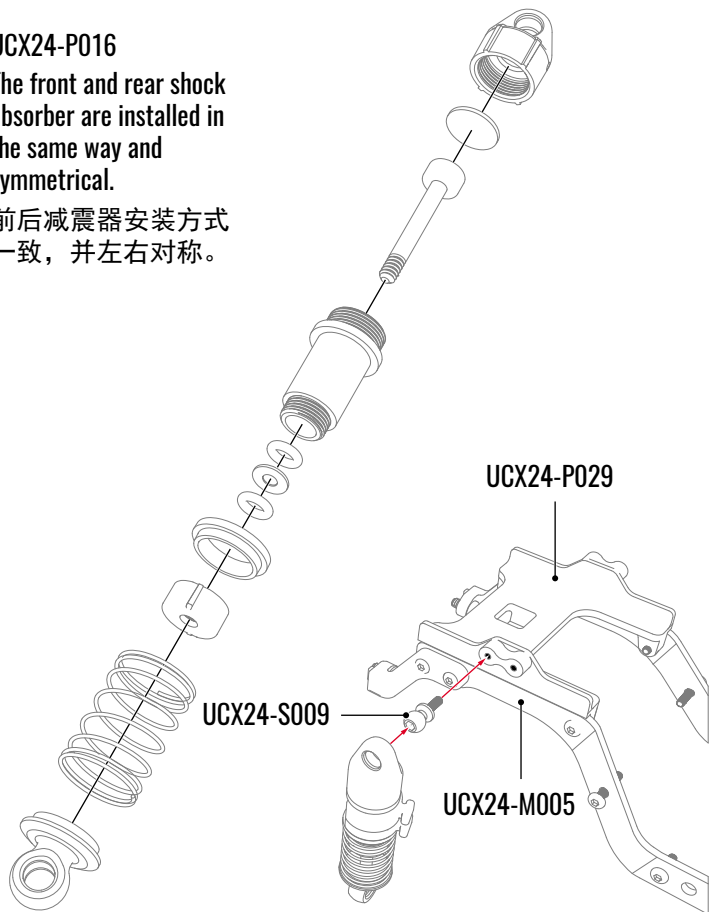
轮胎安装时须注意胎纹方向。

Shock absorber 减震器

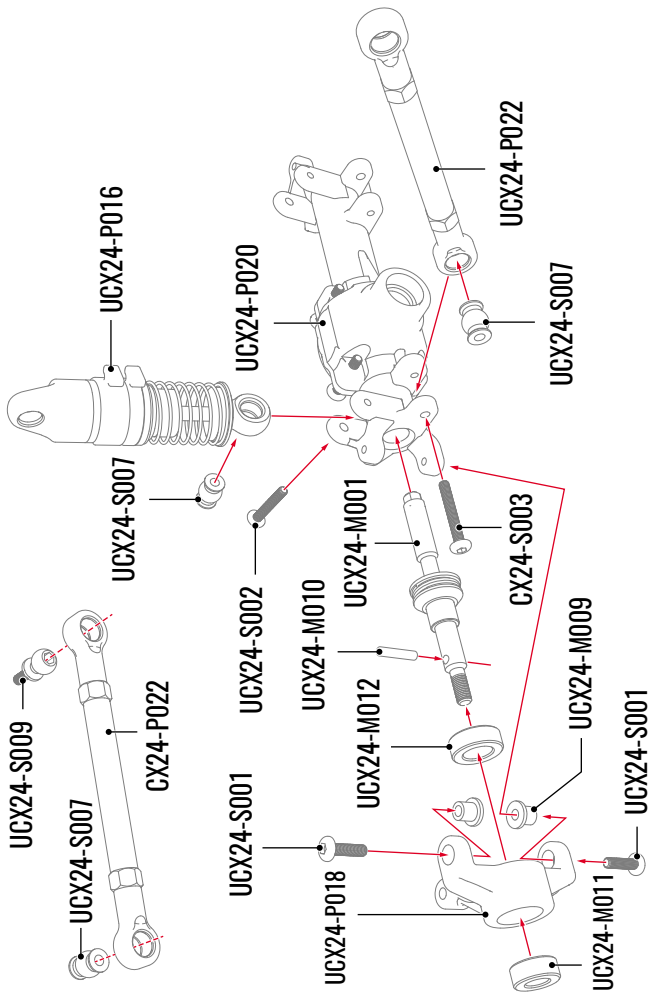
UCX24-P016

The front and rear shock absorber are installed in the same way and symmetrical.

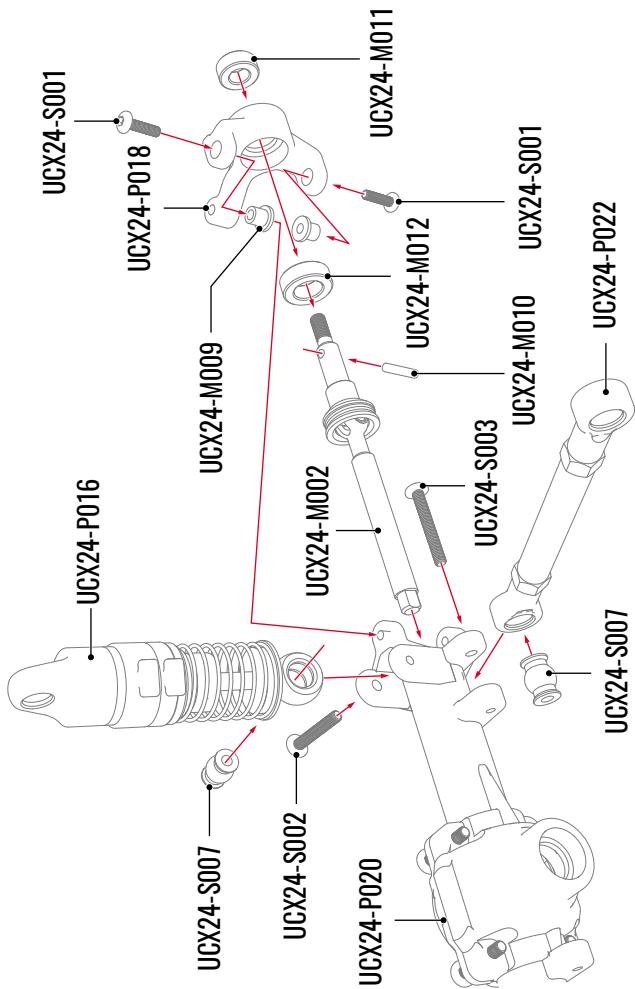
前后减震器安装方式一致，并左右对称。



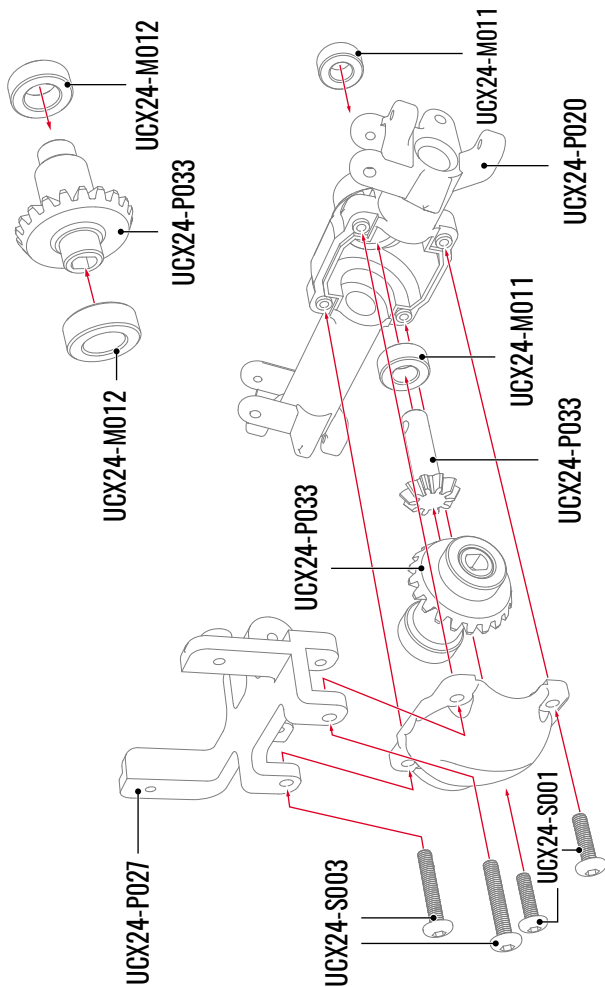
Steering hub set (left) 转向杯 (左)



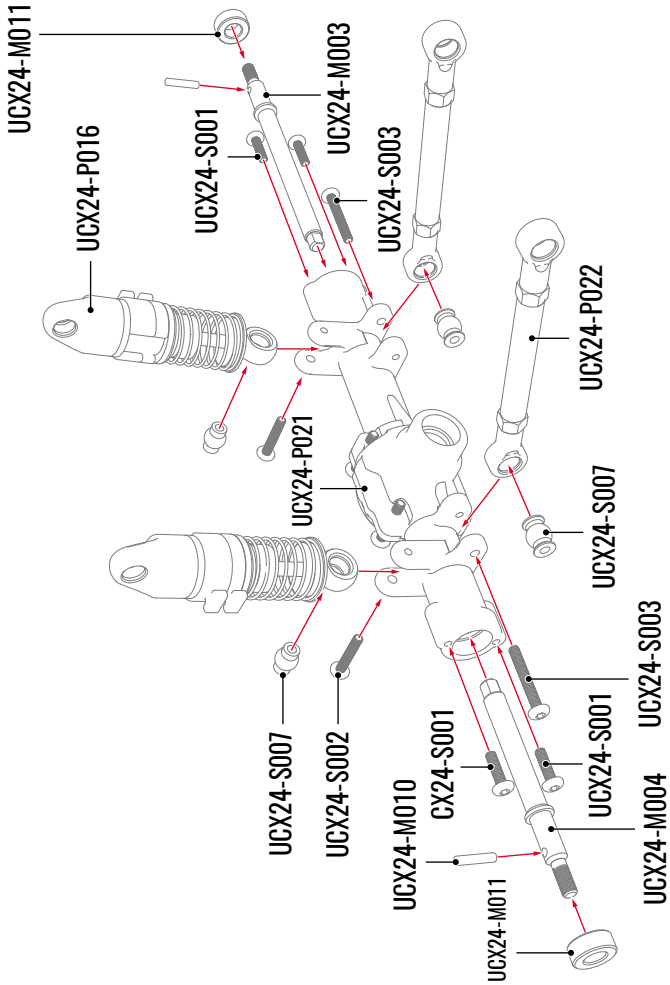
Steering hub set (right) 转向杯 (右)



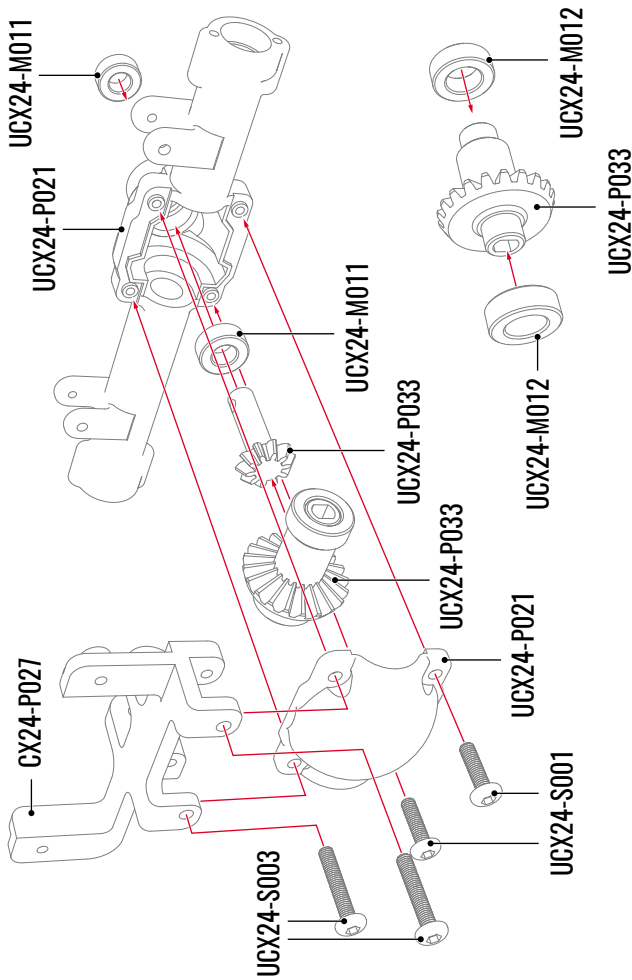
Front gearbox 前波箱



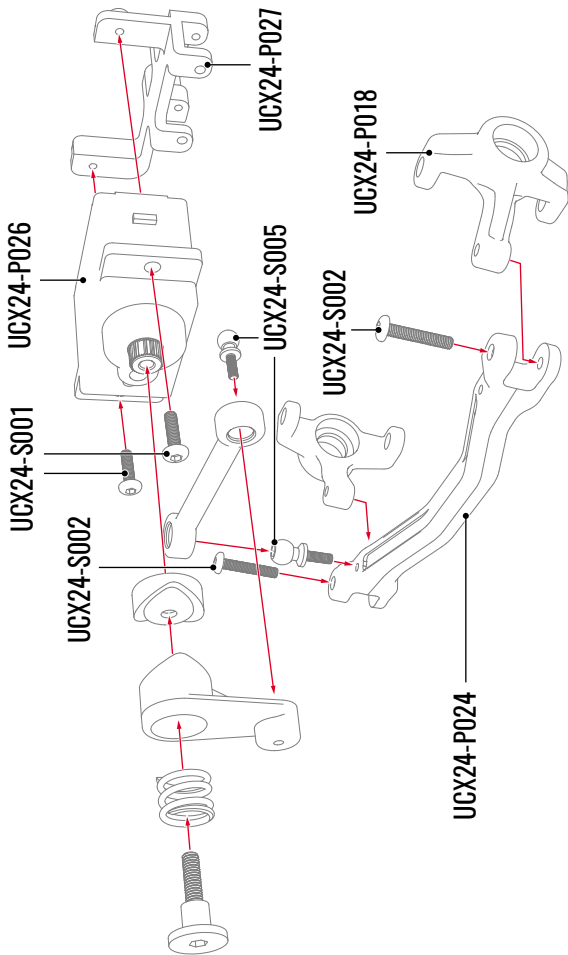
Rear axle assembly 后车桥



Gearbox (rear) 后波箱



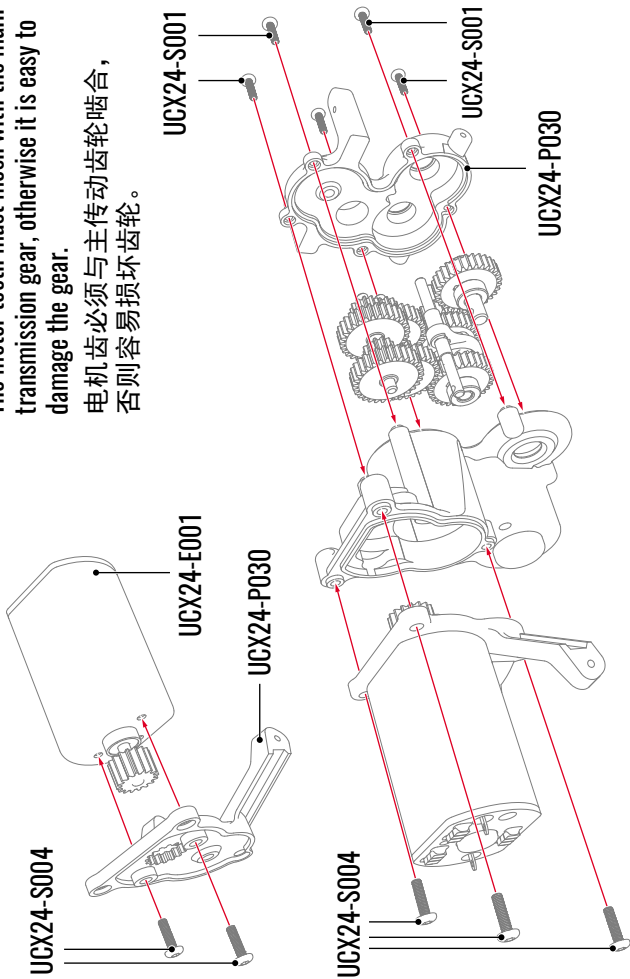
Steering servo 转向组件

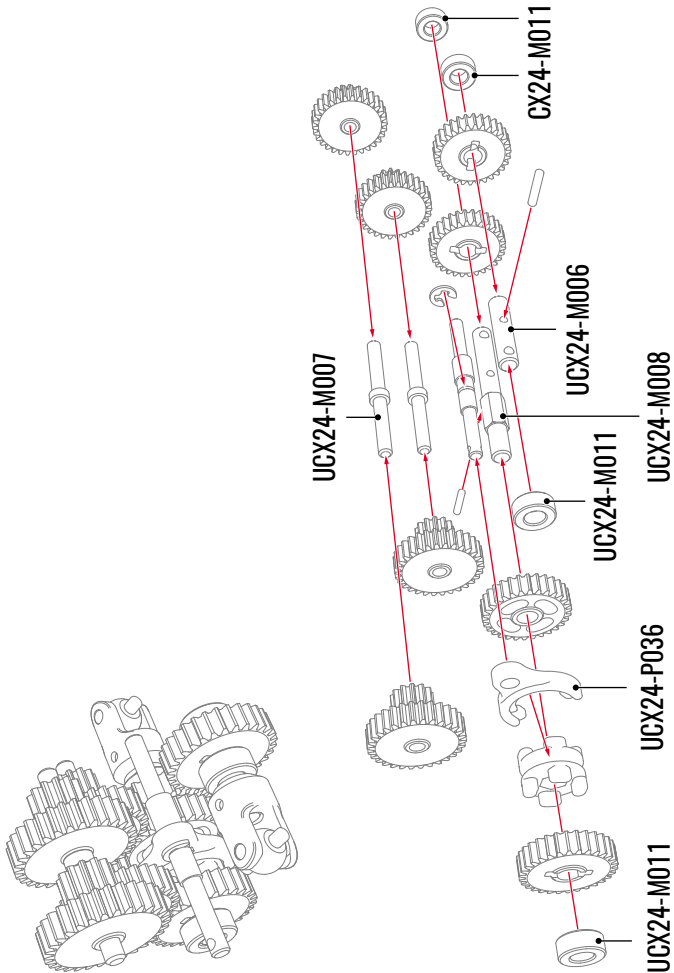


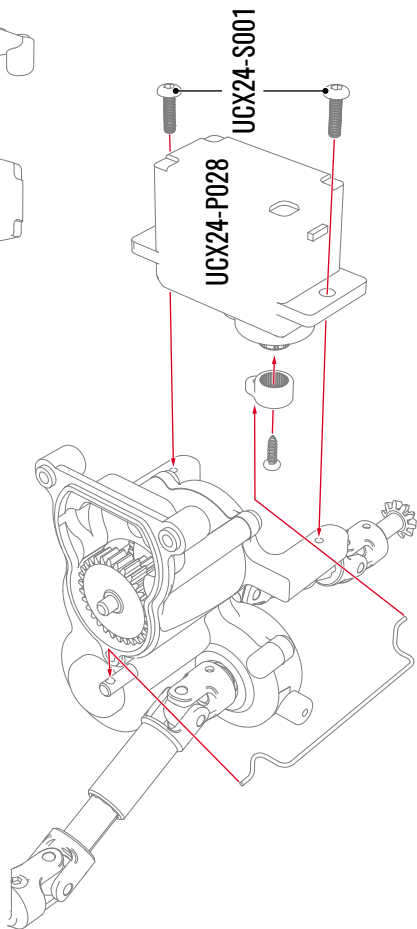
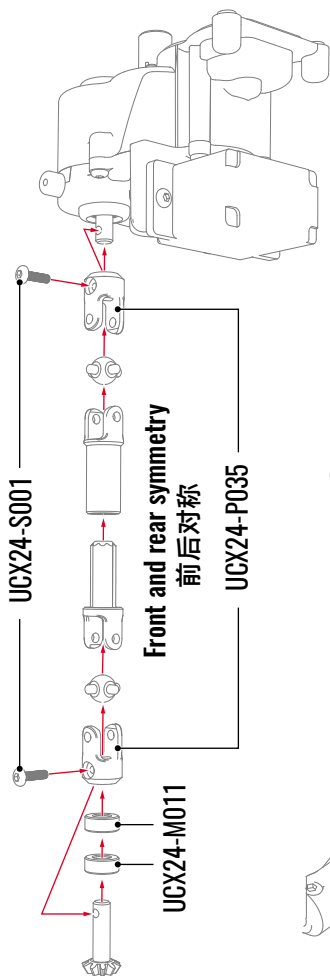
Transmission structure 传动结构

The motor teeth must mesh with the main transmission gear, otherwise it is easy to damage the gear.

电机齿必须与主传动齿轮啮合，否则容易损坏齿轮。



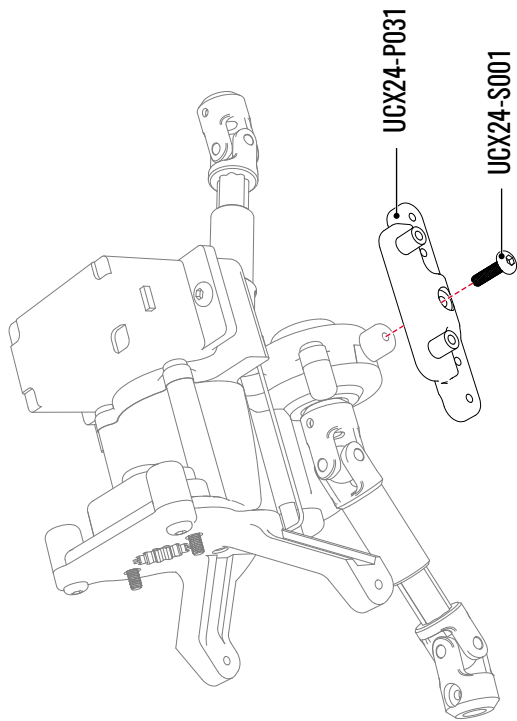


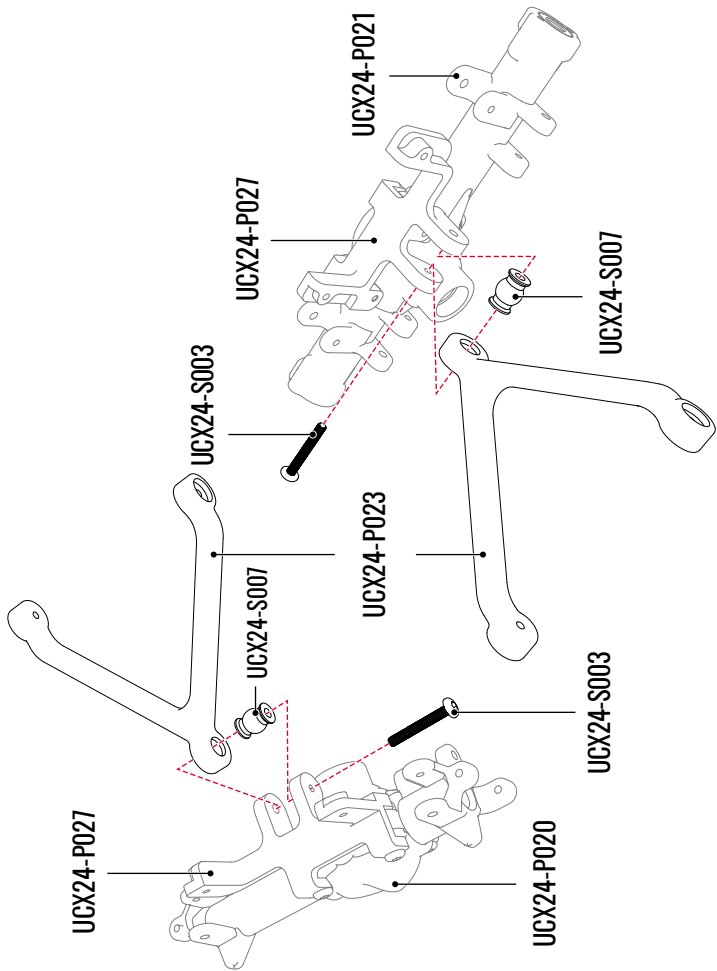


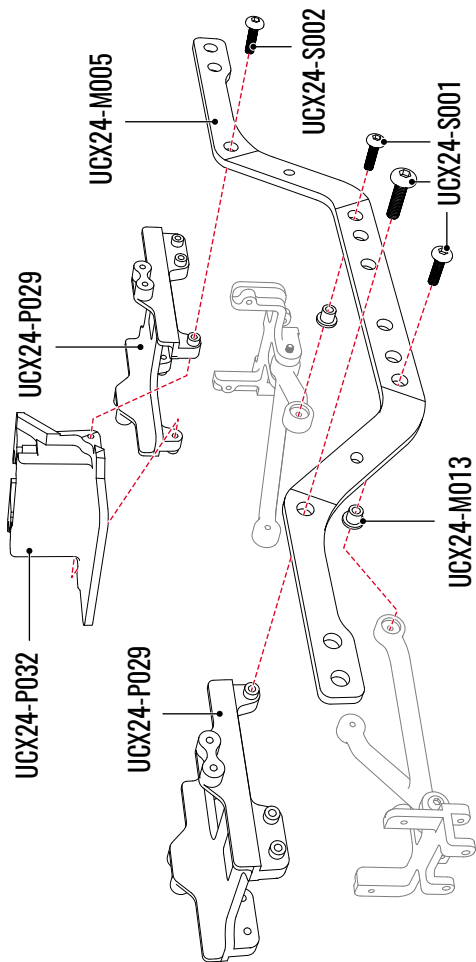
Body skeleton 车身骨架

Left and right symmetry

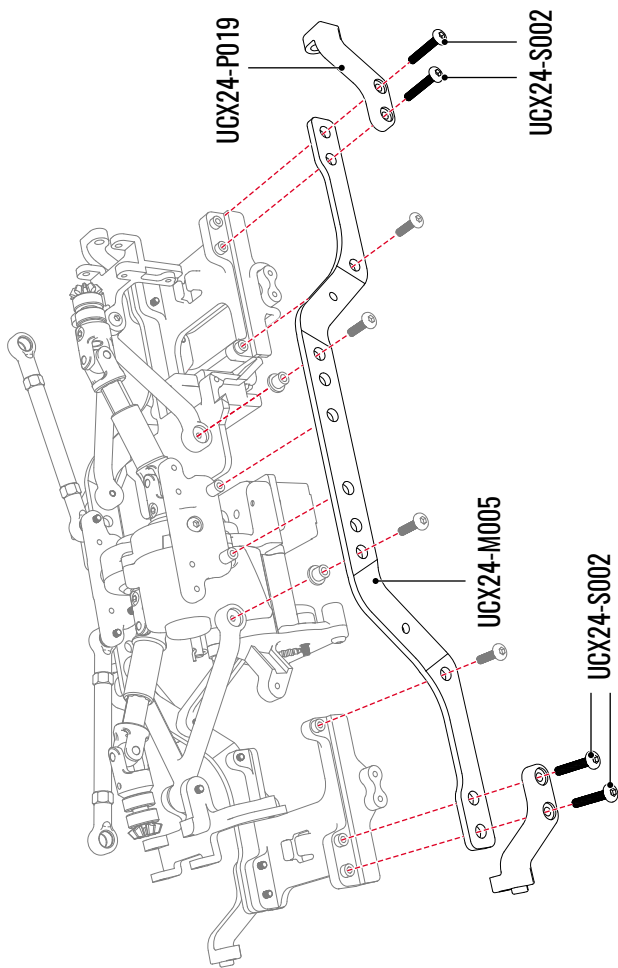
左右对称



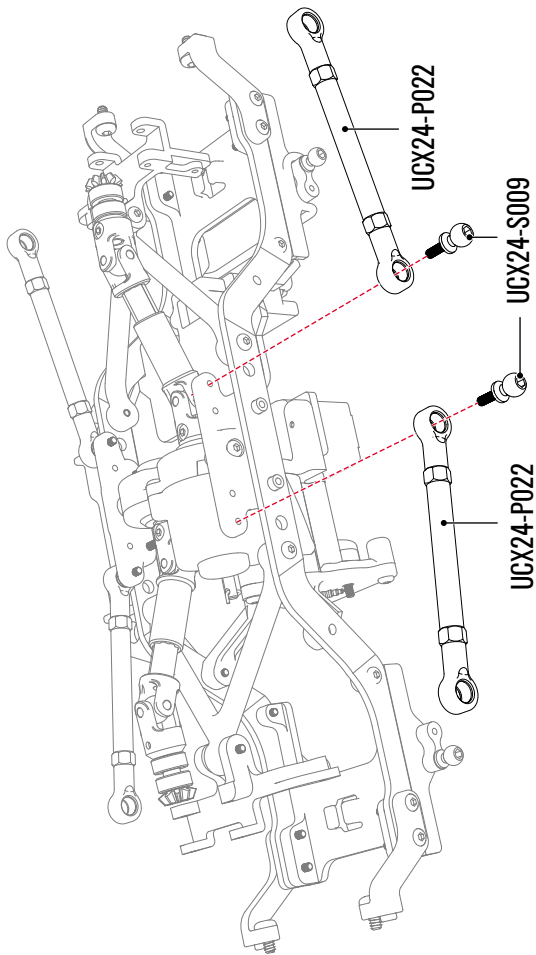




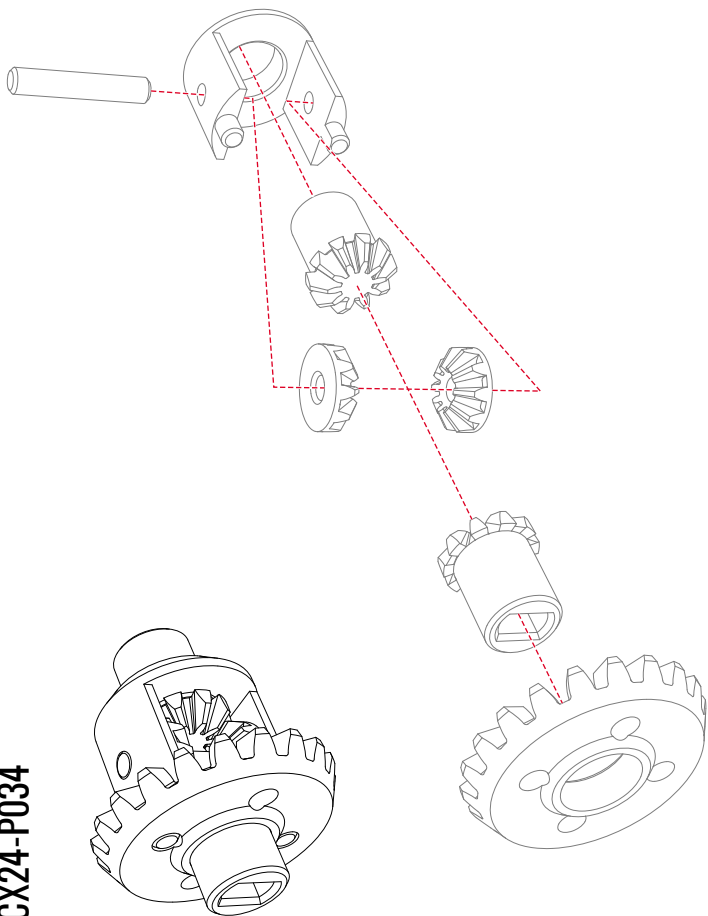
Bottom view 底视



Bottom view 底视



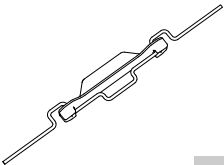
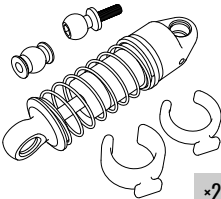
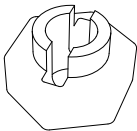

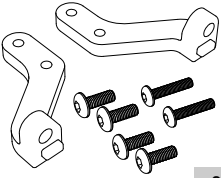
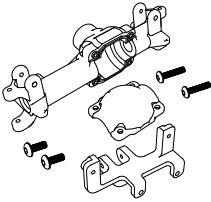
UCX24-P034

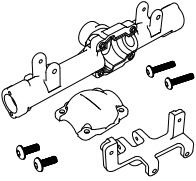
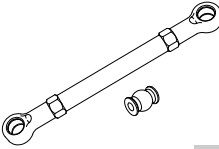
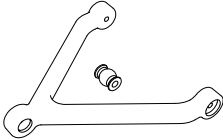
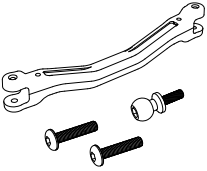
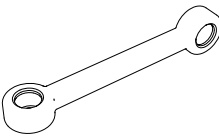
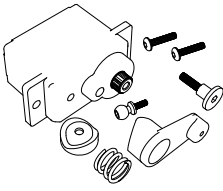
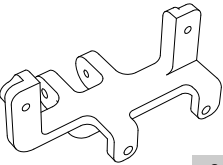
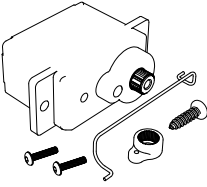
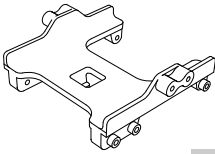


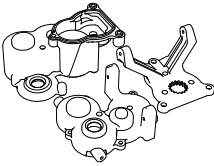
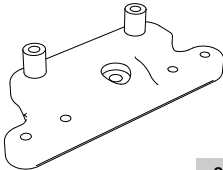
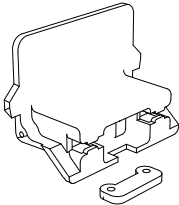
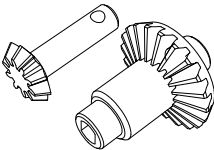
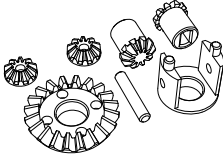
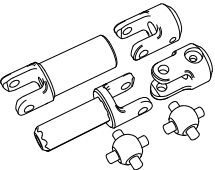
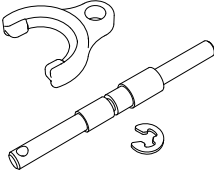
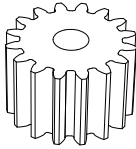
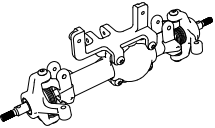
Buyable accessories

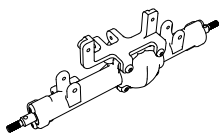
可购买配件

The picture is only for reference, please make the object as the standard.
各零配件以销售所得为准

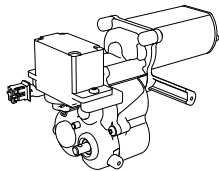
 <p style="text-align: right;">*2</p>	 <p style="text-align: right;">*2</p>	 <p style="text-align: right;">*4</p>
<p>UCX24-P015 Lock buckle 车壳锁扣</p>	<p>UCX24-P016 Shock absorber 减震器</p>	<p>UCX24-P017 Wheel adapters 结合器</p>
	 <p style="text-align: right;">*2</p>	
<p>UCX24-P018 Steering hub set 转向杯</p>	<p>UCX24-P019 Bumper bar 防撞杆</p>	<p>UCX24-P020 Front axle 前车桥</p>

		
<p>UCX24-P021 Rear axle 后车桥</p>	<p>UCX24-P022 Front/Rear axle rod 前后桥拉杆</p>	<p>UCX24-P023 Y shape linkage Y型支架</p>
		
<p>UCX24-P024 Steering linkage 转向拉杆</p>	<p>UCX24-P025 Servo linkage 舵机拉杆</p>	<p>UCX24-P026 Steering servo 转向舵机组件</p>
		
<p>UCX24-P027 Servo support 舵机支架</p>	<p>UCX24-P028 Variable speed servo 换挡舵机组件</p>	<p>UCX24-P029 Support plate 支撑板</p>

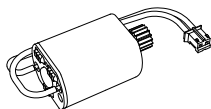
	 <p style="text-align: right;">*2</p>	
<p>UCX24-P030 Differential housing 中央变速箱壳</p>	<p>UCX24-P031 Gearbox support 波箱支架</p>	<p>UCX24-P032 Switch board 开关板</p>
		
<p>UCX24-P033 Axle shift teeth(Metal) 车桥变速齿(金属)</p>	<p>UCX24-P034 Differential assembly(Metal) 差速组件(金属)</p>	<p>UCX24-P035 Center driveshaft 中央传动轴</p>
		
<p>UCX24-P036 Shift lever 档位拉杆</p>	<p>UCX24-P037 Motor gear(Metal) 电机齿(金属)</p>	<p>UCX24-P038 Front axle assembly 前车桥组件</p>



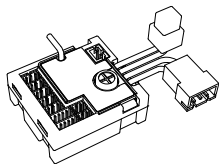
UCX24-P039
Rear axle assembly
后车桥组件



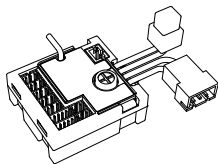
UCX24-P040
Central transmission assembly
中央变速箱组件



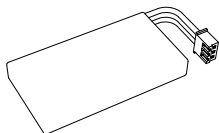
UCX24-E001
Carbon brush motor
碳刷电机



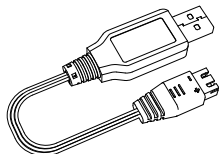
UCX24-E003
Speed control & Receiver
(Brushed)
电调接收器(有刷)



UCX24-E008
Speed control & Receiver
(Brushless)
电调接收器(无刷)



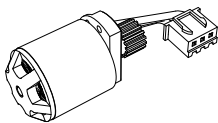
UCX24-E004
Model battery
模型电池



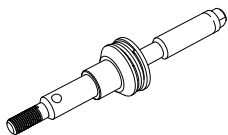
UCX24-E005
Charger
充电器



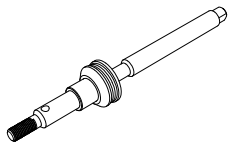
UCX24-E007
Transmitter
遥控器



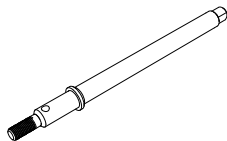
UCX24-E009
Brushless motor
无刷电机



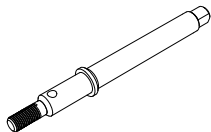
UCX24-M001
Long CVD driveshaft
CVD短



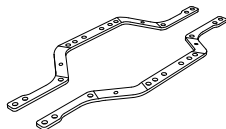
UCX24-M002
Short CVD driveshaft
CVD长



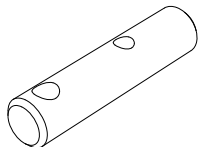
UCX24-M003
Long axle shaft
后桥半轴长



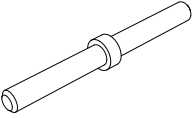
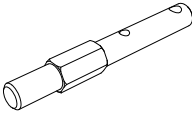
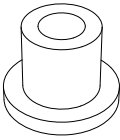
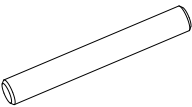
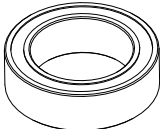
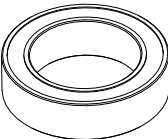
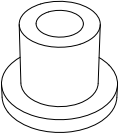
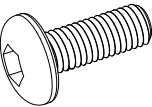
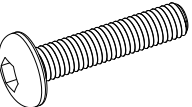
UCX24-M004
Short axle shaft
后桥半轴短

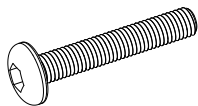


UCX24-M005
Girder
大梁

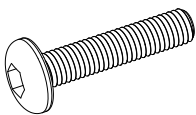


UCX24-M006
Main gear shaft
一级齿轮轴

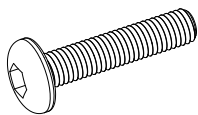
		
<p>UCX24-M007 Transmission gear shaft 二级齿轮轴</p>	<p>UCX24-M008 Gear spindle 档位主轴</p>	<p>UCX24-M009 Steering washers 转向垫套</p>
		
<p>$\varnothing 1.2 \times 5.5 \text{mm}$ ×8</p> <p>UCX24-M010 Pin 光轴</p>	<p>$\varnothing 3 \times \varnothing 6 \times 2.5 \text{mm}$ ×4</p> <p>UCX24-M011 Ball bearing 滚珠轴承</p>	<p>$\varnothing 4 \times \varnothing 7 \times 2.5 \text{mm}$ ×4</p> <p>UCX24-M012 Ball bearing 滚珠轴承</p>
		
<p>×8</p> <p>UCX24-M013 Linkage washers 连杆垫套</p>	<p>$\varnothing 1.4 \times 5 \text{mm TM}$ ×8</p> <p>UCX24-S001 Hexagon socket button head machine screw 内六角扁圆头机牙螺丝</p>	<p>$\varnothing 1.4 \times 8 \text{mm TM}$ ×8</p> <p>UCX24-S002 Hexagon socket button head machine screw 内六角扁圆头机牙螺丝</p>



$\phi 1.4 \times 10\text{mm}$ TM ×8



$\phi 2 \times 5\text{mm}$ TM ×8



$\phi 2 \times 6\text{mm}$ TM ×8

UCX24-S003

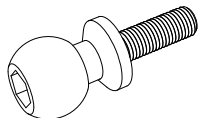
Hexagon socket button
head machine screw
内六角扁圆头机牙螺丝

UCX24-S004

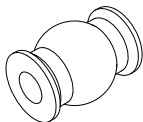
Hexagon socket button
head machine screw
内六角扁圆头机牙螺丝

UCX24-S005

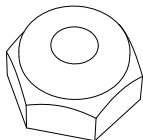
Hexagon socket button
head machine screw
内六角扁圆头机牙螺丝



$\phi 4 \times 9.3\text{mm}$ ×8



$\phi 3.46 \times 4.8\text{mm}$ ×8



M2 ×8

UCX24-S006

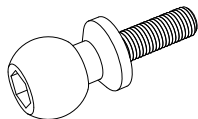
Hollow ball screw
球头螺丝

UCX24-S007

Hollow ball
球头

UCX24-S008

Hex flanged nylon lock nut
法兰尼龙防松螺母



$\phi 3.5 \times 7.3\text{mm}$ ×8

UCX24-S009

Hollow ball screw
球头螺丝



Manufacturer: SHANTOU CITY UDIRC TECHNOLOGY CO., LTD

Address: Guangfeng Industrial Zone, Guangyi Street, Chenghai District, Shantou City, Guangdong Province, CN

MADE IN CHINA

Model Car Summary

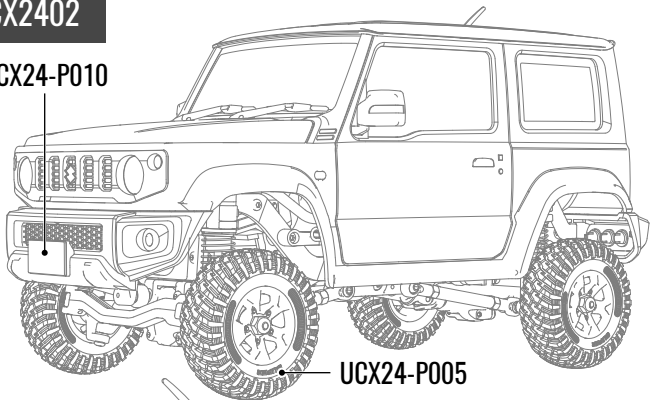
车辆概述

V2.0

Accessories vary by model,
the products obtained from
sales shall prevail.
各零配件以销售所得为准!

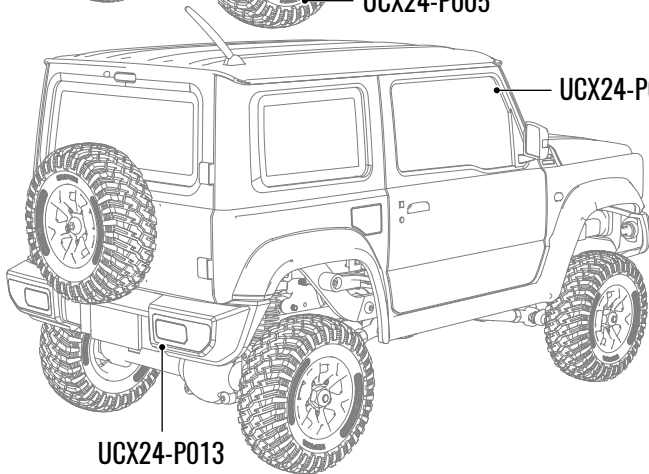
UCX2402

UCX24-P010



UCX24-P005

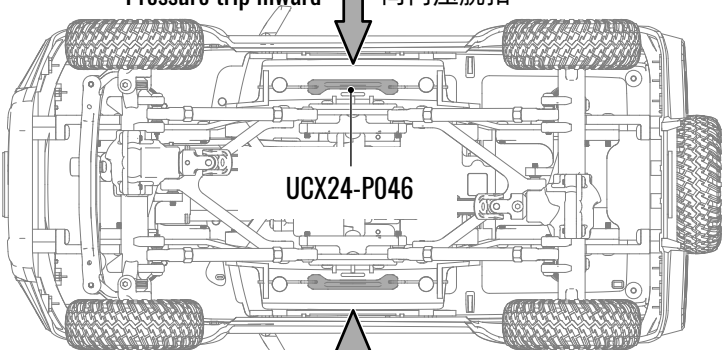
UCX24-P002



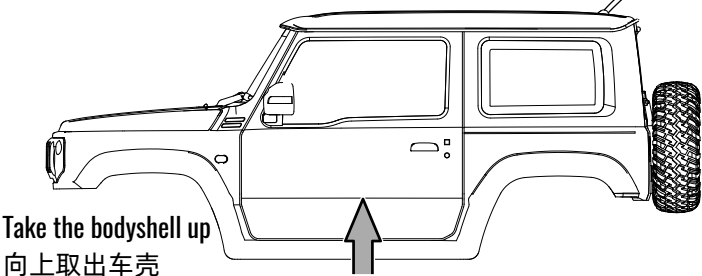
UCX24-P013

Body removal 车壳取出

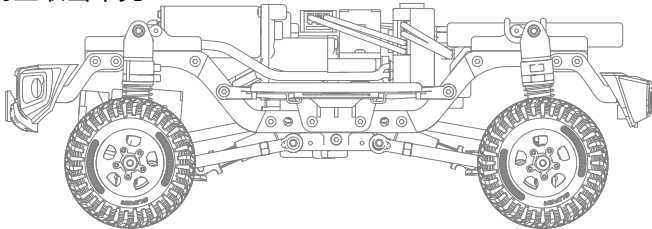
Pressure trip inward 向内压脱扣



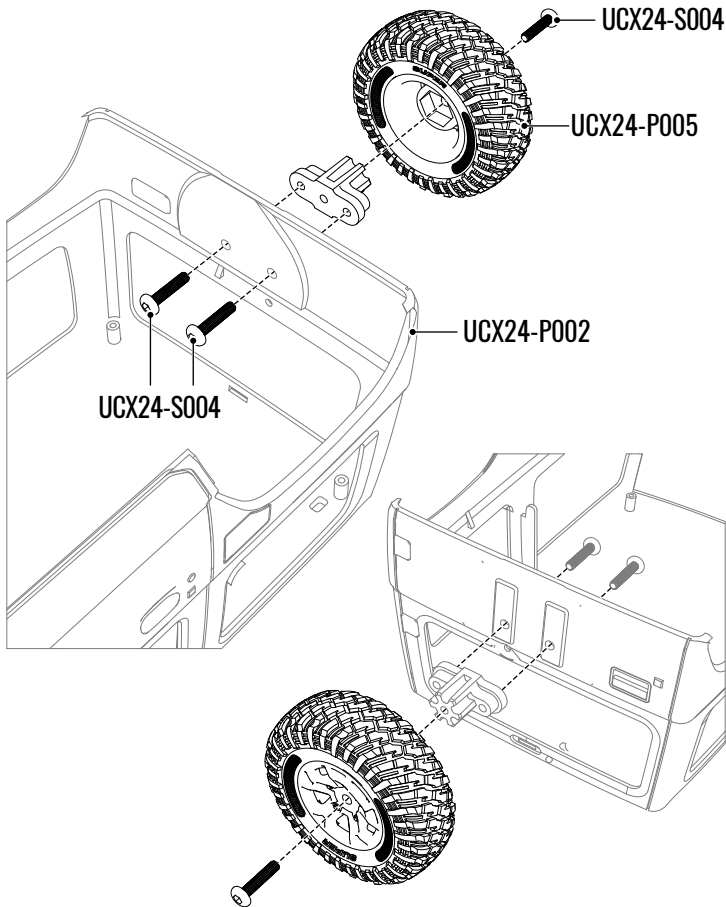
Pressure trip inward 向内压脱扣



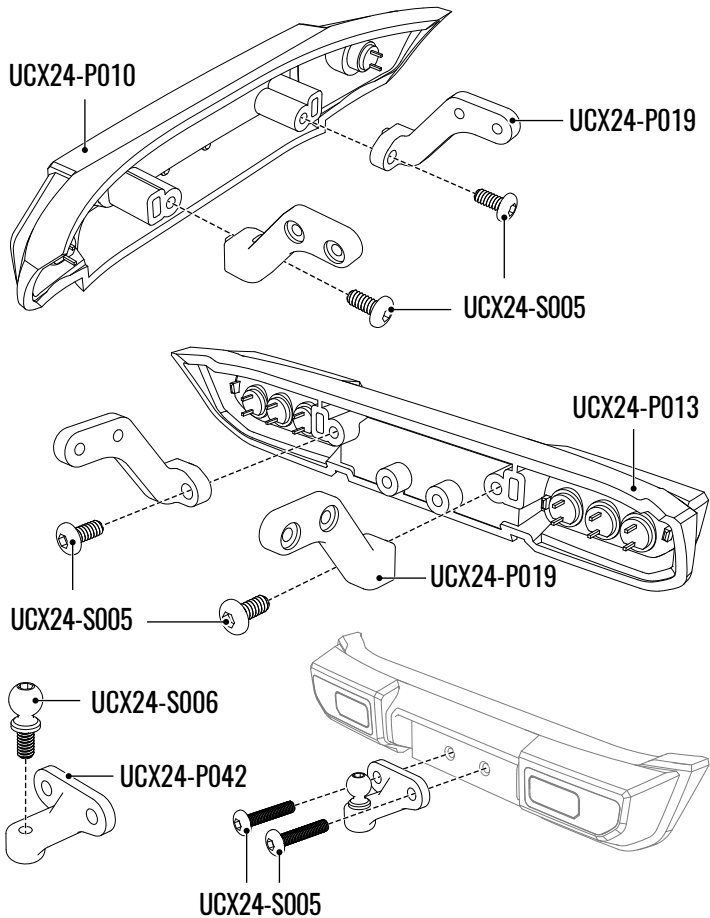
Take the bodyshell up
向上取出车壳



Body assembly 车壳组装



Bumper 防撞

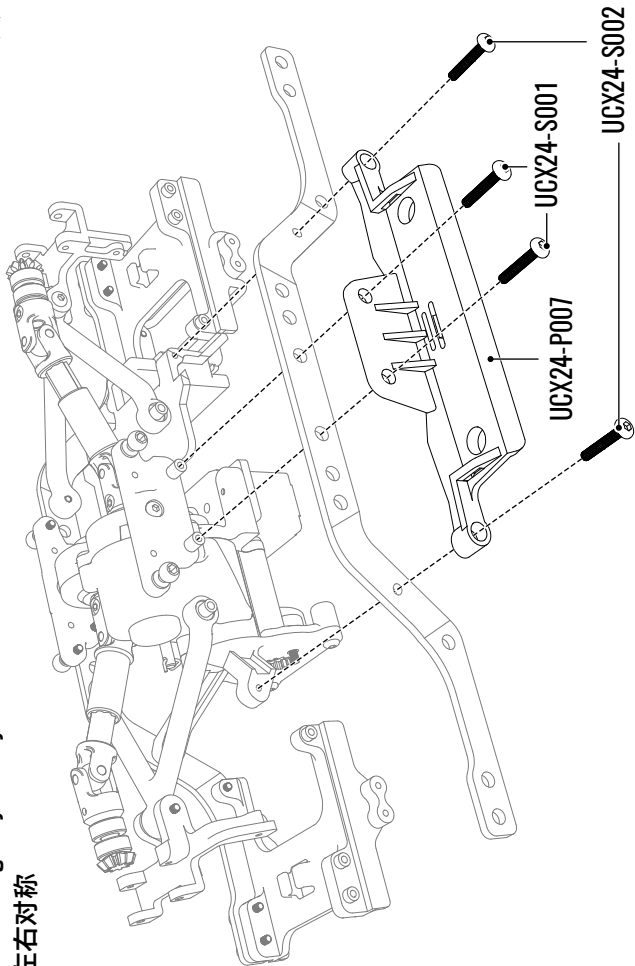


Clipless body 车壳插座

Left and right symmetry

左右对称

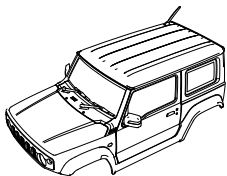
Bottom view 底视



Buyable accessories

可购买配件

Accessories vary by model,
the products obtained from
sales shall prevail.
各零配件以销售所得为准!

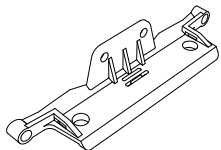


UCX24-P002
Body assembly
车壳



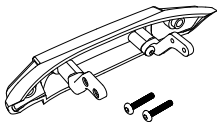
*2

UCX24-P005
Wheel
车轮

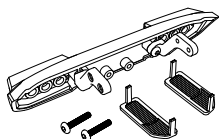


*2

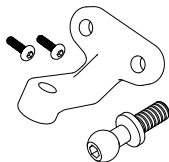
UCX24-P007
Clipless body
车壳插座



UCX24-P010
Front bumper
保险杠(前)



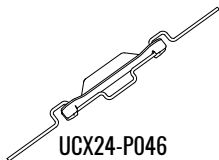
UCX24-P013
Rear bumper
保险杠(后)



UCX24-P042
Towbar
拖车勾



UCX24-P047
Body shell accessories
车壳配件



*2

UCX24-P046
Lock buckle
车壳锁扣